
Water savings

Did you know that washing the dishes by hand consumes more than 50 litres of water on average?

An Edesa dishwasher achieves a deeper wash of a full load of 12 place settings with only 11 litres.

You will quickly recover the purchase of your Edesa dishwasher... and you will gain free time. Edesa dishwashers have improved their electricity and water consumption.

Now A ++ models consume 21% less electricity than those Class A.

We cannot change the electricity rate, but we can help you to reduce your bills.



edesa
with you

DISWASHERS

60 CM DISWASHERS

EDW-6022 X

p. 128



EDW-6022 WH

p. 128



EDW-6021 X

p. 129



EDW-6021 WH

p. 129



45 CM DISWASHERS

EDW-4591 X

p. 130



EDW-4591 WH

p. 130



60 CM BUILT IN

EDB-6021-I

p. 131

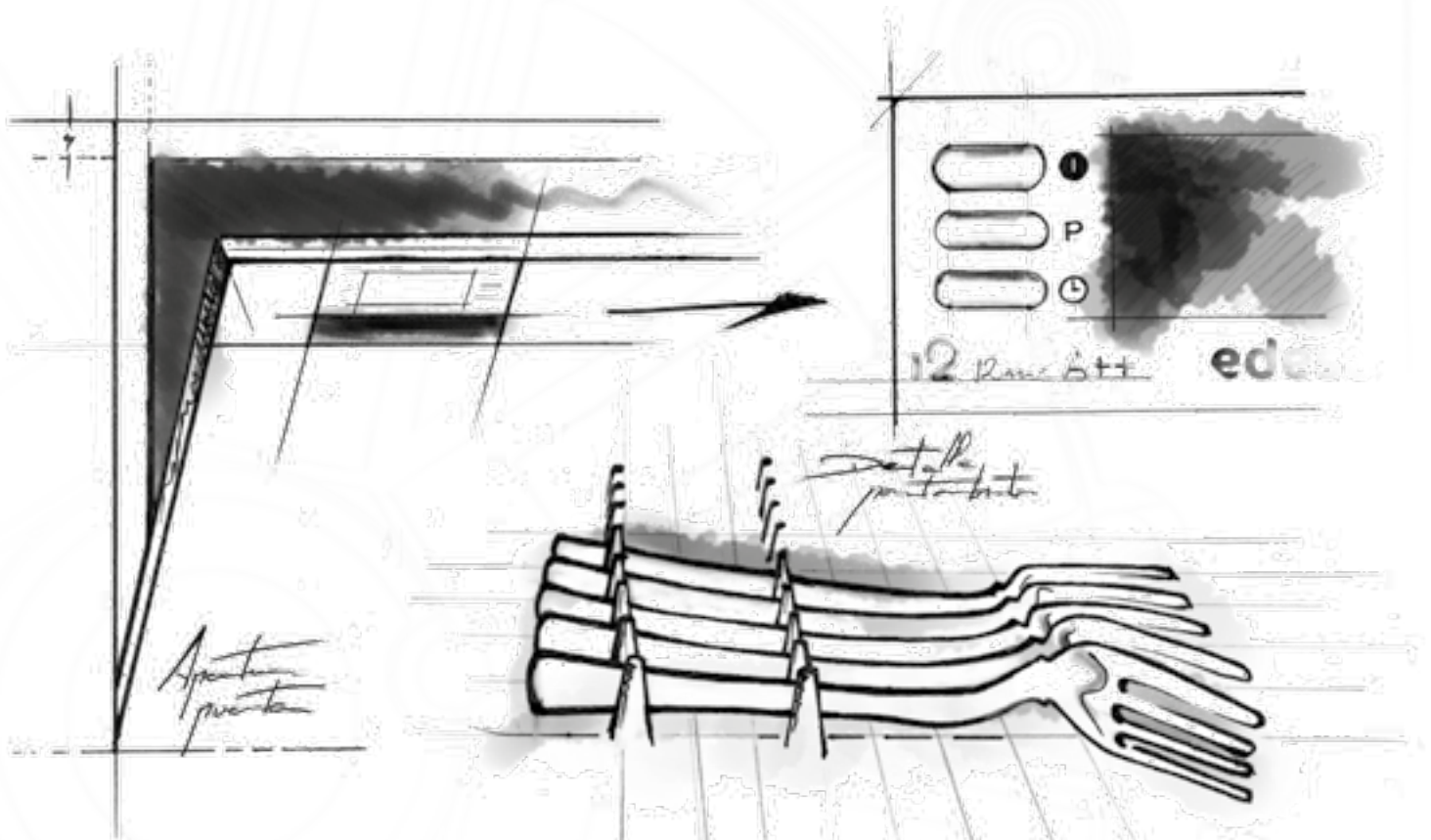


45 CM BUILT IN

EDB-4591-I

p. 132





Extra-drying function

All our models have Class A drying efficiency. In addition, the integration dishwashers offer the "Extra-drying" function which improves even more the results..

The display shows the remaining time

Knowing the remaining time to finish the washing can be fundamental to plan your tasks. The display of the Edesa dishwashers will inform you to the minute.



Enjoy the silence at home

Edesa dishwashers operates silently, allowing you to run it at any time of day without worrying about noise..

Inner space: folding racks

Cook without limits! Use as many pots and tall glasses as necessary, because you have finally found a dishwasher that suits you.

In addition, some models offer the easy and quick adjustment system for the upper rack.

Programming delay up to 24h

Our dishwashers adapt to your schedule. The Delay Programming function allows you to delay its start up to 24 hours. You decide when the washing starts up, so dishes are ready when you need them.



Large capacity and inner flexibility

No problem to wash all your silverware thanks to the large capacity of our dishwashers.

An inner improved design and two folding supports for the cups offer an even greater inner flexibility.

Crystal

Our dishwashers are provided with a special program for glasses, which ensure a brighter finish



Half load function

If you only have half a load and you want to wash it immediately, you can do it with the Half Load function. With this function the dishwasher will adapt its water and electricity consumption with the resulting saving.

Integrated in your kitchen

The entire range of Edesa integrables is designed to comfortably be installed and ergonomics, being able to choose the size best adapt to you.



Fast cycle - 30 minutes

Our dishwashers are provided with an extra fast program which saves water and prevents you from waiting to completely fill it.

Thus, you will never miss any piece of your silverware, being able to use it again in record time.



Celeris Program - 40 to 90 minutes

When looking for a good result but lacking time, Celeris programs are your favourites. You'll get your dishes ready in 40 minutes.



Express Program - 60 minutes

With Edesa you can have ready a complete load of dishes in only 60 minutes, with the best results in the washing and the lowest consumption in water and electricity.



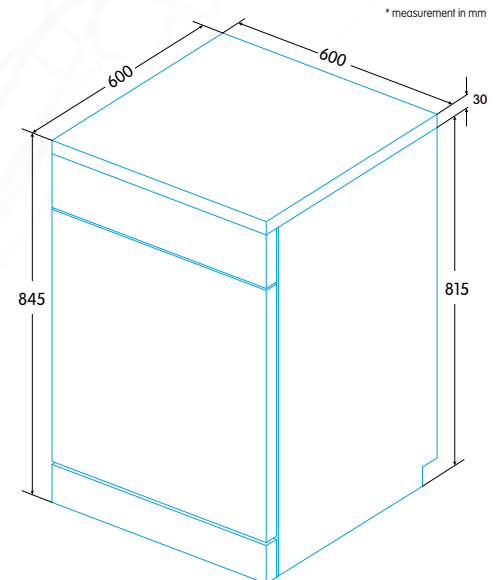
60 CM FREE STANDING



EDW-6022 X - Stainless steel Ean-13: 8435436111655 - Cod.: 926270283

EDW-6022 WH - White Ean-13: 8435436111662 - Cod.: 926270284

- ✓ 60cm. 12 place settings free standing dishwashers
- ✓ Energy Efficiency A++
- ✓ 11 litres of water consumption per cycle
- ✓ 49 dB (A) acoustic power
- ✓ Aqua Control Safety
- ✓ 6 programmes
- ✓ Special programmes: Celeris 40', Fast 60'
- ✓ Functions: Deferred programming up to 24 hours, Safety block, 3 en 1
- ✓ Display with information on: Deferred programming up to 24 hours and remaining time
- ✓ LED indicators: salt and rinse aid, programmes, start/stop
- ✓ Special tray for long cutlery
- ✓ Upper basket with adjustable height and collapsible supports
- ✓ Lower basket with collapsible supports
- ✓ Dimensions without counter : (height x width x depth) 815x 600 x 600 mm
- ✓ Dimensions with counter : (height x width x depth) 845x 600 x 600 mm



ENERGY EFFICIENCY



DRYING EFFICIENCY



CELERIS 40'



EXPRESS 60'



DELAYED START

60 CM FREE STANDING

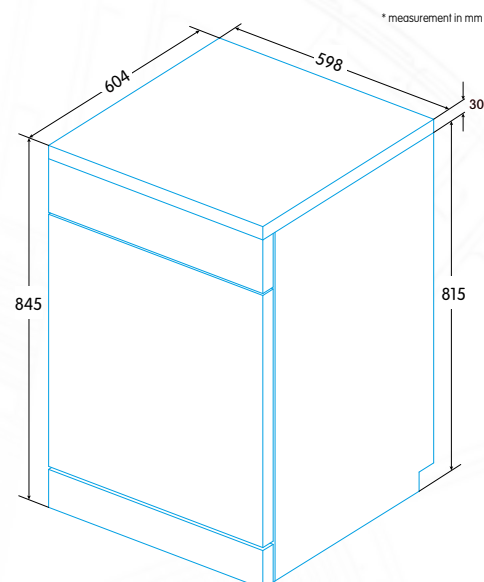
**EDW-6021 X - Stainless steel**

Ean-13: 8435436111426 - Cod.: 926270281

EDW-6021 WH - White

Ean-13: 8435436111433 - Cod.: 926270282

- ✓ 60cm. 12 place settings free standing dishwashers
- ✓ Energy Efficiency A+
- ✓ 11,5 litres of water consumption per cycle
- ✓ 49 dB (A) acoustic power
- ✓ Aqua Control Safety
- ✓ 6 programmes
- ✓ Special programmes: Celeris 90', Fast 30' and Glass
- ✓ Functions: Deferred programming 3, 6 or 9hours, Safety block
- ✓ LED indicators: salt and rinse aid, programmes, start/stop
- ✓ Upper basket with adjustable height and collapsible supports
- ✓ Dimensions without counter : (height x width x depth) 815x 598 x 604 mm
- ✓ Dimensions with counter : (height x width x depth) 845x 598 x 604 mm



ENERGY EFFICIENCY



DRYING EFFICIENCY



RÁPIDO 30'



GLASS



DELAYED START

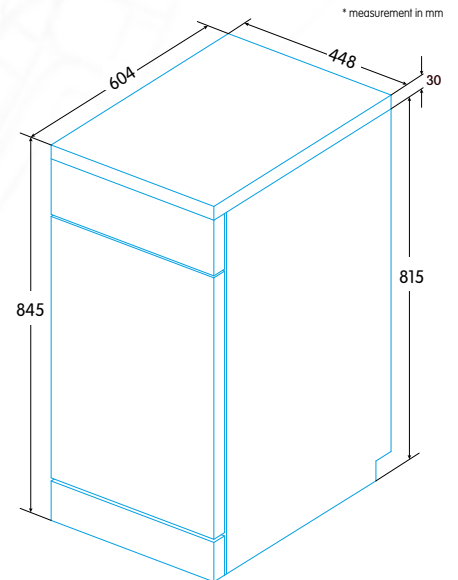
45 CM FREE STANDING



EDW-4591 X - Stainless steel Ean-13: 8435436111402 - Cod.: 926270279

EDW-4591 WH - White Ean-13: 8435436111419 - Cod.: 926270280

- ✓ 45 cm. 9 place settings free standing dishwashers
- ✓ Energy Efficiency A+
- ✓ 9,5 litres of water consumption per cycle
- ✓ 52 dB (A) acoustic power
- ✓ Aqua Control Safety
- ✓ 6 programmes
- ✓ Special programmes: Celeris 90', Fast 30' and Glass
- ✓ Functions: Deferred programming 3, 6 or 9hours, Safety block
- ✓ LED indicators: salt and rinse aid, programmes, start/stop
- ✓ Upper basket with adjustable height and collapsible supports
- ✓ Dimensions without counter : (height x width x depth) 815x 448 x 604 mm
- ✓ Dimensions with counter : (height x width x depth) 845x 448 x 604 mm



ENERGY EFFICIENCY



DRYING EFFICIENCY



RÁPIDO 30'



GLASS



DELAYED START

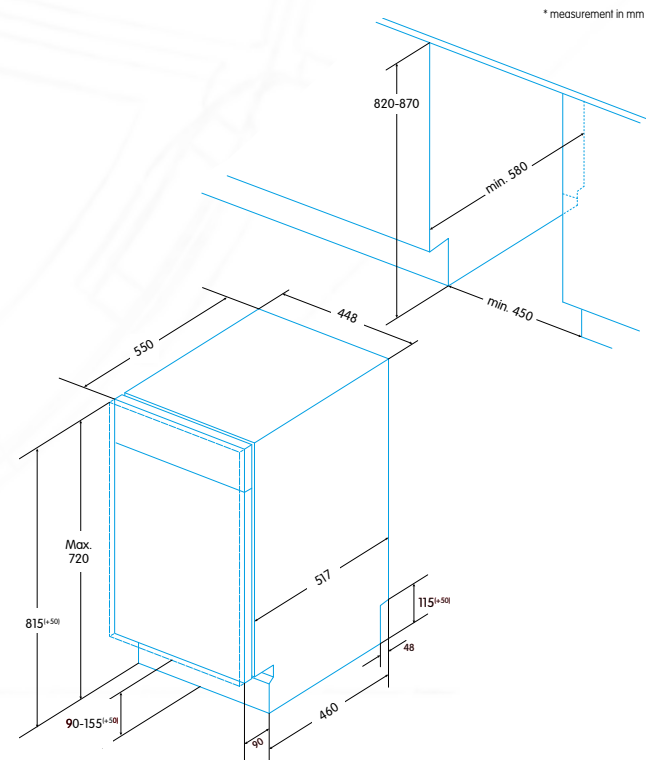
45 CM BUILT IN



EDB-4591-I

Ean-13: 8435436111679 - Cod.: 926270285

- ✓ 45 cm. 9 place settings built-in dishwashers
- ✓ Energy Efficiency A+
- ✓ Variable Consumption depending on load
- ✓ 9.5 litres of water consumption per cycle
- ✓ 49 dB (A) acoustic power
- ✓ Aqua Control Safety
- ✓ 4 programmes
- ✓ Special programmes: Auto, Fast 30', Glass
- ✓ Functions: Deferred programming up to 24 hours, Perfect Dry, Half Load
- ✓ Display with information on: Deferred programming up to 24 hours and remaining time
- ✓ LED indicators: salt and rinse aid, programmes
- ✓ Upper basket with adjustable height and collapsible supports
- ✓ Lower basket with collapsible supports
- ✓ Dimensions without counter: (height x width x depth) 815 x 448 x 550 mm



ENERGY EFFICIENCY



DRYING EFFICIENCY



RÁPIDO 30'



GLASS



DELAYED START



DISWASHERS

	60 CM FREE STANDING			
	926270283 EDW-6022 X	926270284 EDW-6022 WH	926270281 EDW-6021 X	926270282 EDW-6021 WH
PRODUCT FICHE (1)				
Number of place settings	12		12	
Energy efficiency class (2)	A++		A+	
Total annual energy consumption [kWh/year] (3)	259		273	
Energy consumption [kWh/cycle]	0,9		0,96	
Energy consumption off mode [W]	0,35		0,45	
Energy consumption standby (left-mode) [W]	0,8		0,49	
Water consumption [l/cycle]	11		11,5	
Total annual water consumption [l/year] (4)	3080		3220	
Drying performance (5)	A		A	
Standard programme time [min]	273		190	
Noise level [dB(A) re 1 pW]	49		49	
Built-in / Free-standing	Free standing		Free standing	
GENERAL FEATURES				
Variable consumption				
Child safety devices	√		√	
Drying plus				
Single basket washing			√	
CONTROL				
Programme and display	Display		LED	
Washing phase indicator	LED Washing and drying			
Digital countdown indicator	Display			
Salt light indicator	LED		LED	
Rinse aid light indicator	LED		LED	
Start/Pause indicator	√		√	
End of cycle indicator	Display		LED, with acoustic indicator	
Half load indicator			LED	
Delayed programme indicator	Display		LED	
Delayed start programme [h]	1-24		3,6,9	
Programme type indicator	√		√	
On/Off key	√		√	
ECO + key	LED		LED	
PROGRAMMING				
N° of programmes	6		6	
N° of temperatures	4		5	
Intensive (60°C)	√		√	
Normal (55°C)			√	
Eco (45°C)	√		√	
Express (1hour) (60°C)	√			
Soft / Light (45°C)	√			
Glass (40°C)			√	
Celeris [min] (65°C)	40		90	
Quick programme 30' (45°C)			√	
Leave to soak programme	√			
Auto (45°C-55°C)				
ACCESORIES				
Upper basket - folding cup supports	√		√	
Upper basket - glass supports	Adjustable in height		Adjustable in height	
Lower basket - folding supports	√		√	
SAFETY				
Child safety	√		√	
Anti-flooding	√		√	
Aqua-control	√		√	
Anti-water return	√		√	
Heating safety	√		√	
CONNECTION				
Connection rating [W]	1.850		2.100	
Voltage [V]	220 - 240		220 - 240	
Frequency [Hz]	50		50	
Current [A]	10		8-8,75	
DIMENSIONS				
Height with worktop [mm]	845		845	
Width [mm]	600		598	
Depth [mm]	600		604	
Leg height adjustable, MAX [mm]	30			

(1) Delegated Regulation (EU) No.1059 / 2010 of 2010 September 28, that complements Directive 2010/30 / EU of the European Parliament and of the Council in relation to the energy labeling of domestic dishwashers. (2) Class range from A+++ (more efficient) to G (less efficient). (3) Energy consumption based on 280 standard wash cycles using cold water and low consumption program. (4) Water consumption based on 280 standard wash cycles. The real water consumption depends on the conditions of use.(5) Class range from A (more efficient) to G (less efficient).

DISWASHERS

45 CM FREE STANDING		60 CM BUILT IN	45 CM BUILT IN	
926270279	926270280	926270043	926270042	
EDW-4591 X	EDW-4591 WH	EDB-6021-I	EDB-4591-I	
PRODUCT FICHE (1)				
	9	12	9	Number of place settings
	A+	A+	A+	Energy efficiency class (2)
	215	273	215	Total annual energy consumption [kWh/year] (3)
	0,75	0,96	0,75	Energy consumption [kWh/cycle]
	0,45	0,45	0,45	Energy consumption off mode [W]
	0,49	0,49	0,49	Energy consumption standby (left-mode) [W]
	9,5	11,5	9,5	Water consumption [l/cycle]
	2660	3220	2660	Total annual water consumption [l/year] (4)
	A	A	A	Drying performance (5)
	190	190	190	Standard programme time [min]
	52	52	49	Noise level [dB(A) re 1 pW]
	Free standing	Built-in	Built-in	Built-in / Free-standing
GENERAL FEATURES				
	√			Variable consumption
		√	√	Child safety devices
	√	√	√	Drying plus
				Single basket washing
CONTROL				
	LED	LED	Display	Programme and display
				Washing phase indicator
				Digital countdown indicator
	LED	LED	LED	Salt light indicator
	LED	LED	LED	Rinse aid light indicator
	√			Start/Pause indicator
	LED, with acoustic indicator	Acoustic indicator	Acoustic indicator	End of cycle indicator
	LED	LED	LED	Half load indicator
	LED	LED	Display	Delayed programme indicator
	3,6,9	3,6,9	1-24	Delayed start programme [h]
	√	√	√	Programme type indicator
	√	√	√	On/Off key
	LED	LED	LED	ECO + key
PROGRAMMING				
	6	5	4	N° of programmes
	5	4	4	N° of temperatures
	√	√		Intensive (60°C)
	√	√		Normal (55°C)
	√	√	√	Eco (45°C)
				Express (1hour) (60°C)
				Soft / Light (45°C)
	√	√		Glass (40°C)
	90	90		Celeris [min] (65°C)
	√	√	√	Quick programme 30' (45°C)
				Leave to soak programme
		√		Auto (45°C-55°C)
ACCESORIES				
	√	√	√	Upper basket - folding cup supports
	Adjustable in height	Adjustable in height - Push	Adjustable in height	Upper basket - glass supports
	√	√	√	Lower basket - folding supports
SAFETY				
	√			Child safety
		√	√	Anti-flooding
		√	√	Aqua-control
		√	√	Anti-water return
		√	√	Heating safety
CONNECTION				
	2.100	2.100	2.100	Connection rating [W]
	220 - 240	220 - 240	220 - 240	Voltage [V]
	50	50	50	Frequency [Hz]
	8-8,75	8-8,75	8-8,75	Current [A]
DIMENSIONS				
	845	815	815	Height with worktop [mm]
	448	598	448	Width [mm]
	604	550	550	Depth [mm]
		50	50	Leg height adjustable, MAX [mm]

(1) Delegated Regulation (EU) No.1059 / 2010 of 2010 September 28, that complements Directive 2010/30 / EU of the European Parliament and of the Council in relation to the energy labeling of domestic dishwashers. (2) Class range from A +++ (more efficient) to G (less efficient). (3) Energy consumption based on 280 standard wash cycles using cold water and low consumption program. (4) Water consumption based on 280 standard wash cycles. The real water consumption depends on the conditions of use.(5) Class range from A (more efficient) to G (less efficient).